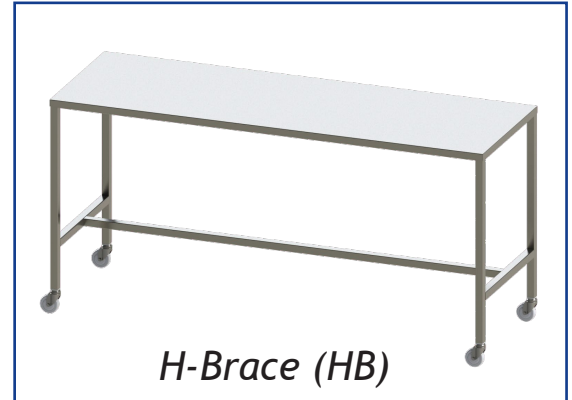


Stainless Steel Instrument Tables

Features:

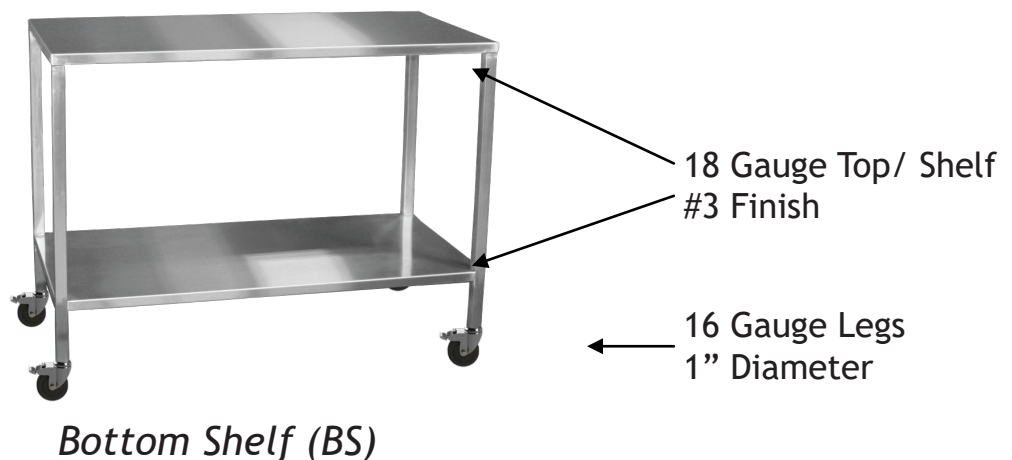
- 3" casters that are self lubricating and whisper quiet for smooth travel
- Heavy-duty, welded, stainless steel construction
- Practical and functional construction designed to provide trouble free operation
- Customizable with many size options and configurations available to meet your needs

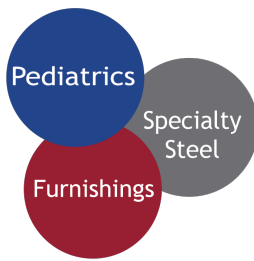


Customizing Options:

- Outer Rail
- Drawer
- Cabinet

304 Gauge Stainless Steel





NOVUM

Medical Products

Stainless Steel Instrument Tables

Specifications:

- **20" x 16" x 34"**
SQ-201634-BS
SQ-201634-HB
- **30" x 16" x 34"**
SQ-301634-BS
SQ-301634-HB
- **30" x 20" x 34"**
SQ-302034-BS
SQ-302034-HB
- **36" x 24" x 34"**
SQ-362434-BS
SQ-362434-HB
- **48" x 20" x 34"**
SQ-482034-BS
SQ-482034-HB
- **60" x 24" x 34"**
SQ-602434-HB
SQ-602434-HBS
- **72" x 24" x 34"**
SQ-722434-HBS

*Also available in custom various dimensions